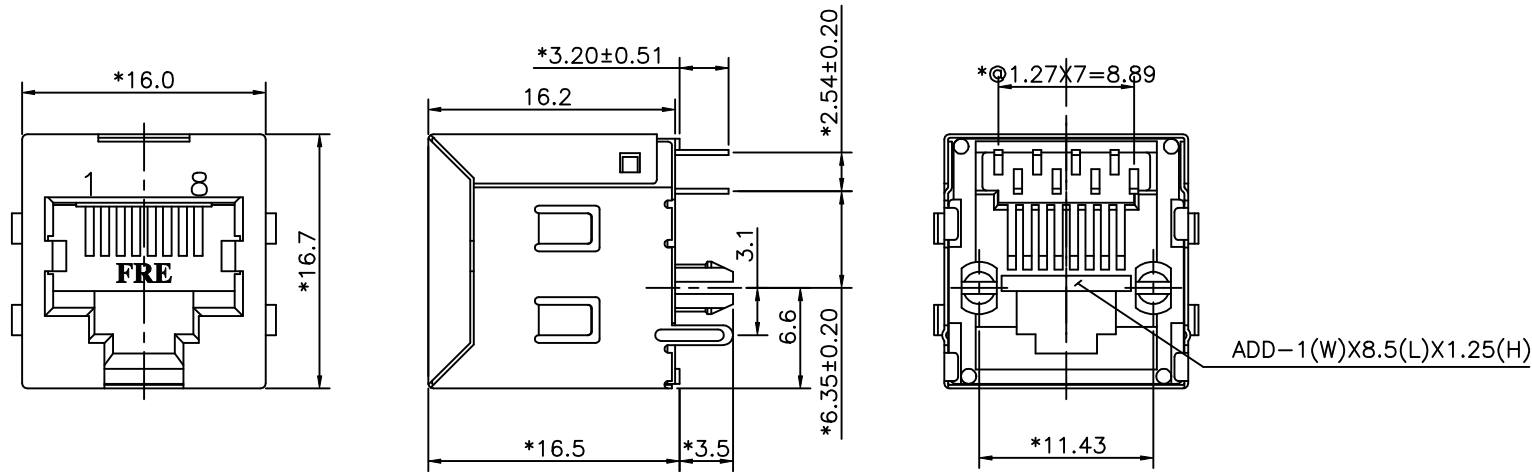


REVISION RECORD				
REV	ECO	DESCRIPTION	DRFT	CHKD



NOTES:

ELECTRICAL:

- VOLTAGE RATING : 125 VAC RMS.
- CURRENT RATING : 1.5 AMP.
- CONTACT RESISTANCE : 30 MILLIOHMS MAX.
- INSULATION RESISTANCE: 1000 MEGOHMS MIN @ 500 VDC.
- DIELECTRIC STRENGTH : 1000 VAC RMS 60Hz, 1MIN.

MECHANICAL:

- HOUSING MATERIAL : FR52 UL94V-0.
- HOUSING COLOR : BK.
- CONTACT MATERIAL : PHOSPHOR BRONZE t=0.35mm.
- PLATING : GOLD PLATING OVER NICKEL.
- OPERATING LIFE : 750 CYCLES MIN.
- PCB RETENTION PRE-SOLDER : 1 LB MIN.
- PCB RETENTION POST-SOLDER: 10 LBS MIN.

ENVIRONMENTAL:

- STORAGE : -40°C TO +85°C.
- OPERATION: 0°C TO 70°C.
- INFRARED SOLDER TEMPERATURE : 255°C TO 265°C 5-10SECOND.

MATES WITH MODULAR PLUG CONFORMING TO FCC PART 68, SUBPART F.

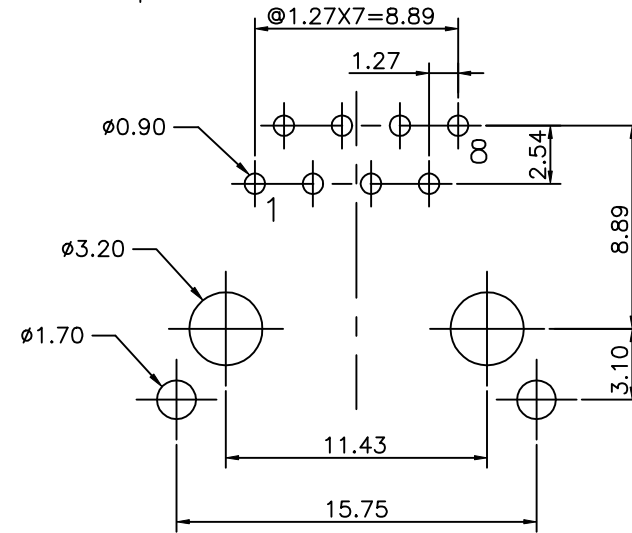
CUL FILE NO. E163191

ROHS PART NUMBER: E528X-XXOB4X-L

4-4C
8-8C
R-W/O FRE LOGO
3-W/ FRE LOGO

GOLD PLATING:
1- 3u" 2- 6u"
3-15u" 4-30u"
5-50u"

- 1- TIN PLATING,W/ SIDE TABS
- 2- NICKEL PLATING,W/ SIDE TABS
- S- TIN PLATING,W/O SIDE TABS
- T- NICKEL PLATING,W/O SIDE TABS



PC Board Layout Component Side Shown

DETACHED LISTS	← MM (INCH) →		DFTO ANKUE	DATE 10/28/2005	FULL RISE ELECTRONIC CO., LTD	
	TOLERANCES EXCEPT AS NOTED		CHKD YICAN	DATE 2005/10/28		
	MM	±	MFO	DATE	TITLE RJ45 TOP ENTRY PCB JACK (DIP & IMPROVED TYPE)	
	.0 ±0.20	±	APPVLLUSHENG	DATE 2005/10/28		
.00 ±0.15	±	MATERIAL :		DRAWING NO. GE523094-LA		
.000 ±0.075	±	ANGLES ±		/PART NO. SEE NOTE		
THIRD ANGLE PROJECTION		QTY :		SCALE : 3:1	SIZE A3	REV 0
				DO NOT SCALE DRAWING	SHEET X	OF Y